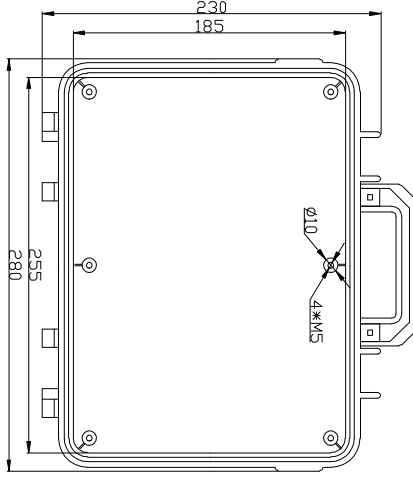
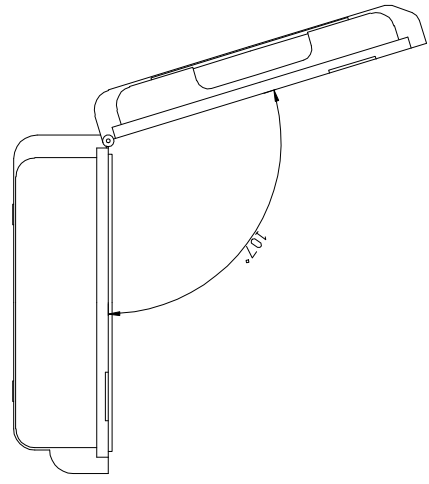
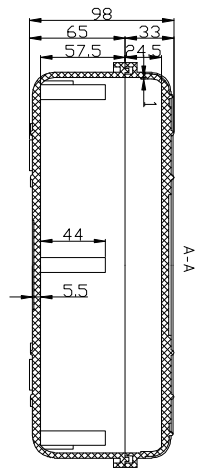
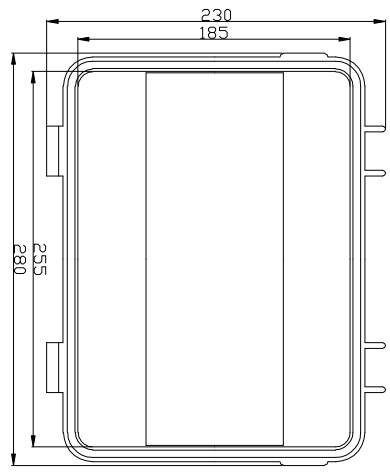
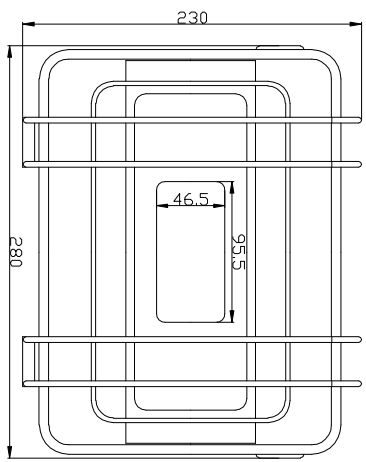
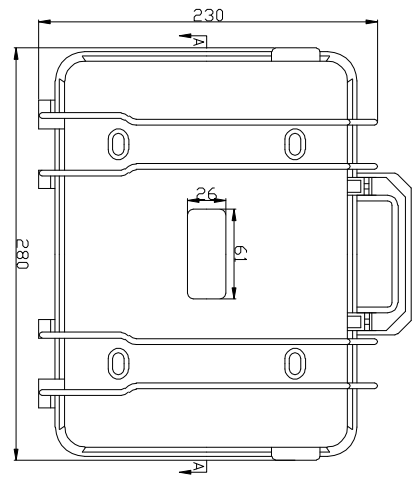


REVISION RECORD				
REV	ECN	DESCRIPTION	DRFT	CHKD



DETACHED LISTS		DF-TD	DATE
MM	(INCH)	CHKD	DATE
TOLERANCES EXCEPT AS NOTED			
MM		MFD	DATE
0.0 ± 0.3		APPL	DATE
.000 ± 0.2			
.000 ± 0.1			
ANGLES ± 5°		MATERIAL: <b>ABS</b>	
THIRD ANGLE PROJECTION		QTY: 1	
SCALE: 1:1		FINISH:	
DRAWING NO: <b>EPC010A</b>		PART NO: <b>00</b>	
DO NOT SCALE DRAWING		SIZE: <b>A4</b>	
SHEET 1		REV: <b> </b>	
OF 1			

**EVEREST**  
WWW.EVERESTCASE.COM

**EPC010A**

TITLE