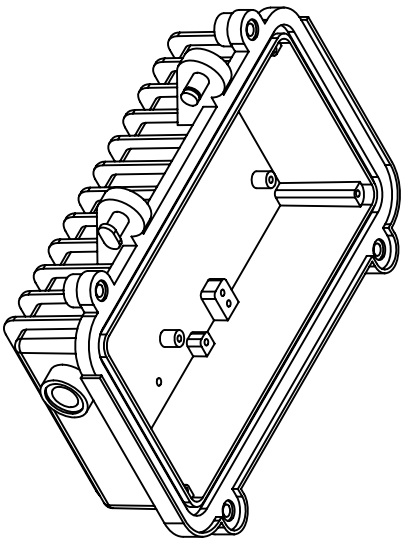
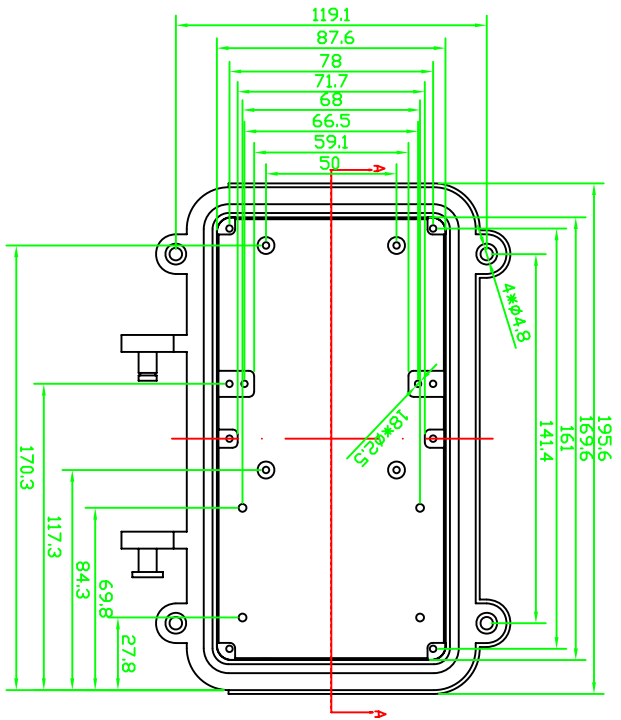
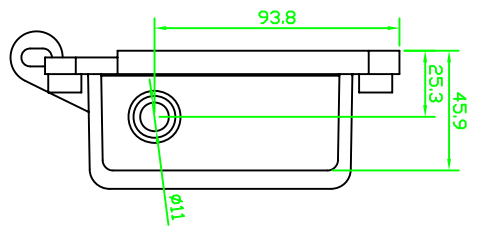
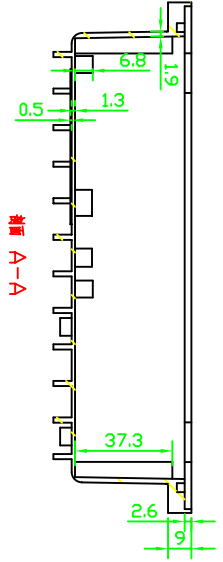
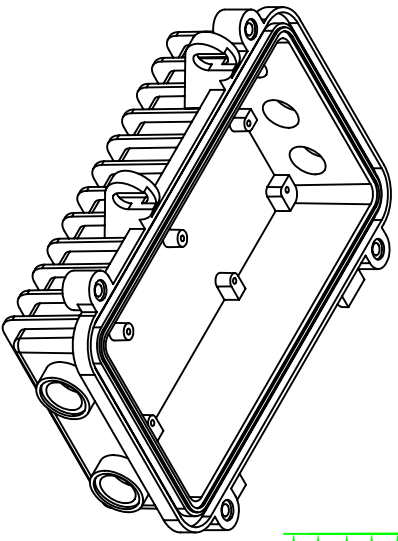
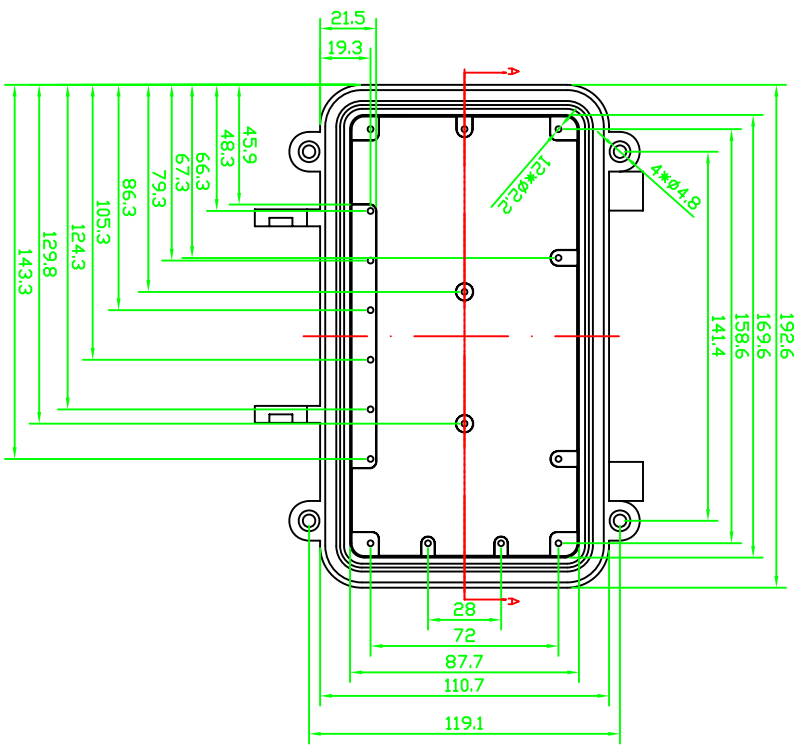
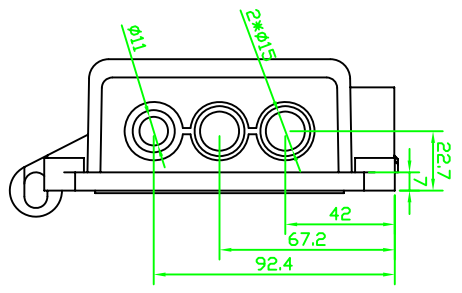
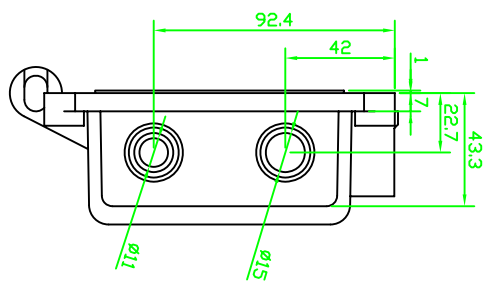
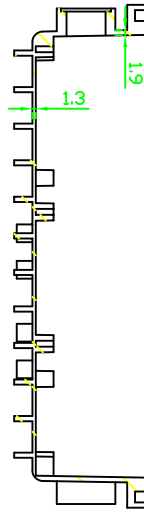


REVISION RECORD				
REV	ECD	DESCRIPTION	DRT	CHKD



<b>DETACHED LISTS</b>															
 FIRST ANGLE PROJECTION	<table border="1"> <tr> <td>MM</td> <td>INCHES</td> </tr> <tr> <td>±</td> <td>±</td> </tr> <tr> <td>0.1 ± 0.03</td> <td></td> </tr> <tr> <td>0.02 ± 0.02</td> <td></td> </tr> <tr> <td>0.01 ± 0.01</td> <td></td> </tr> </table>	MM	INCHES	±	±	0.1 ± 0.03		0.02 ± 0.02		0.01 ± 0.01		TOLERANCES EXCEPT AS NOTED	ANGLES ± 5°		
MM	INCHES														
±	±														
0.1 ± 0.03															
0.02 ± 0.02															
0.01 ± 0.01															
<table border="1"> <tr> <td>DATE</td> <td>DATE</td> <td>DATE</td> <td>DATE</td> </tr> <tr> <td> </td> <td> </td> <td> </td> <td> </td> </tr> </table>	DATE	DATE	DATE	DATE					<table border="1"> <tr> <td>DATE</td> <td>DATE</td> </tr> <tr> <td> </td> <td> </td> </tr> </table>	DATE	DATE			MATERIAL : AL	TITLE <b>AAP009B</b>
DATE	DATE	DATE	DATE												
DATE	DATE														
QTY : 1	FINISH :	DRAWING NO. AAP009B	SHEET 1 OF 1												
SCALE : 1:3	DD NOT SCALE DRAWING	EVEREST WWW.EVERESTCASE.COM	SIZE A4												

REVISION RECORD			
REV	ECD	DESCRIPTION	DRFT



DETACHED LISTS			
 FIRST ANGLE PROJECTION	TOLERANCES EXCEPT AS NOTED MM .0 ± 0.3 .00 ± 0.2 .000 ± 0.1	ANGLES ± 5° ± ±	DRFTD CHKD MFD APPVL
DATE DATE DATE DATE	MATERIAL : <b>AL</b>	QTY : 1	FINISH:
TITLE <b>AAP009B</b>	DRAWING NO. AAP009B /PART NO. 00	DD NOT SCALE DRAWING	SIZE <b>A4</b>
SHEET 1 OF 1	EVEREST WWW.EVERESTCASE.COM	SHEET 1 OF 1	REV