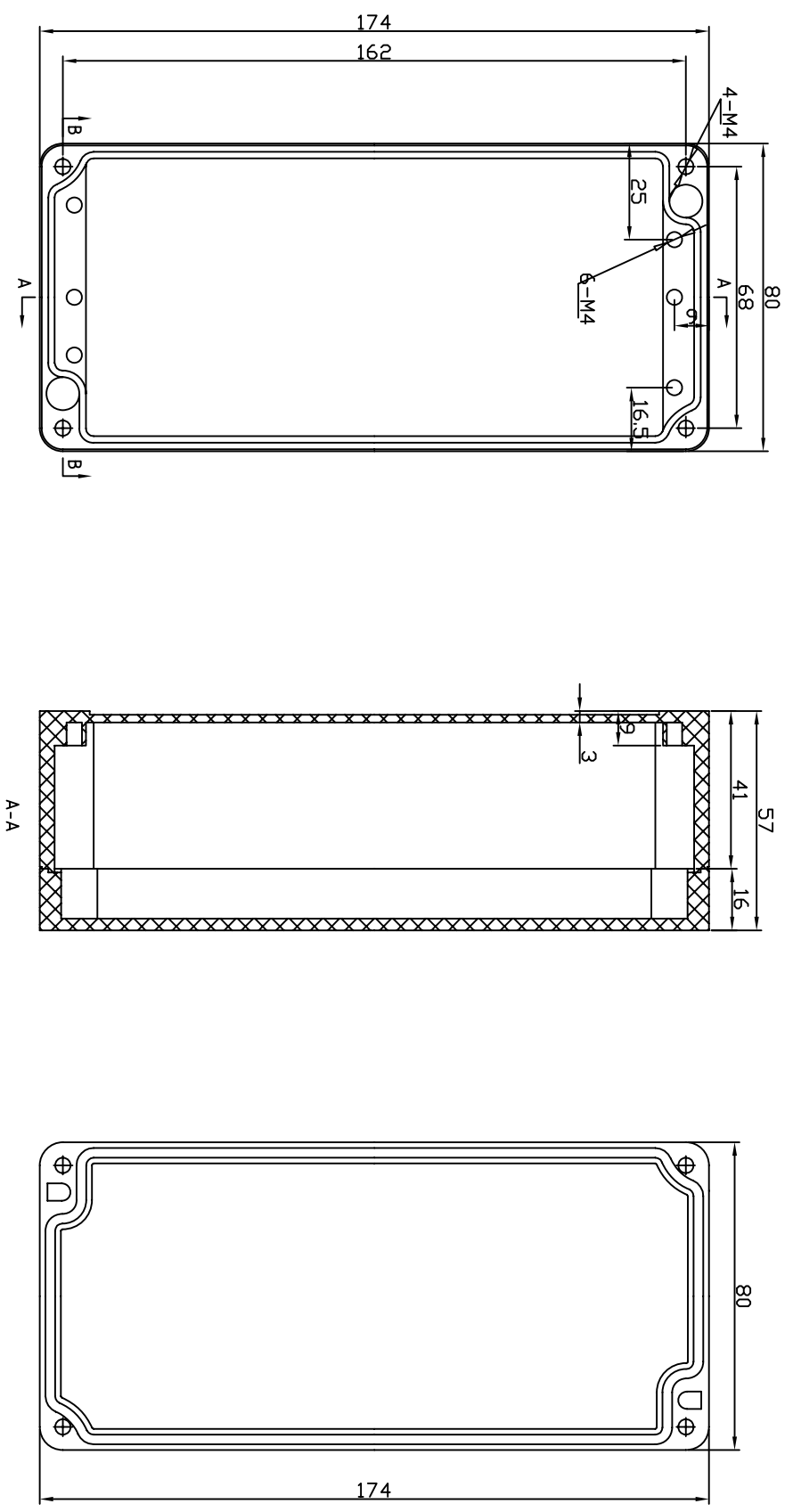


REVISION RECORD				
REV	ECD	DESCRIPTION	DRFT	CHKD



DETACHED LISTS			
 THIRD ANGLE PROJECTION	ANGLES ± 5° FINISH: SCALE: 1:1	MATERIAL: AL QT'Y:	TITLE: AW008
DIM (INCH) TOLERANCES EXCEPT AS NOTED MM 0 ± 0.3 .00 ± 0.02 .000 ± 0.1	DRFTD CHKD WFD APPVL DATE DATE DATE	DATE DATE DATE	EVEREST www.EVERESTCASE.COM
DRAWING NO. AW008 /PART NO. 00	SIZE A4	REV	SHEET 1 OF 1