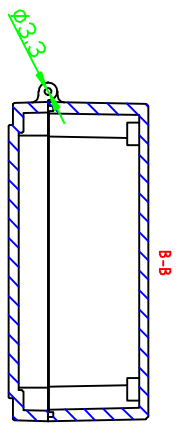
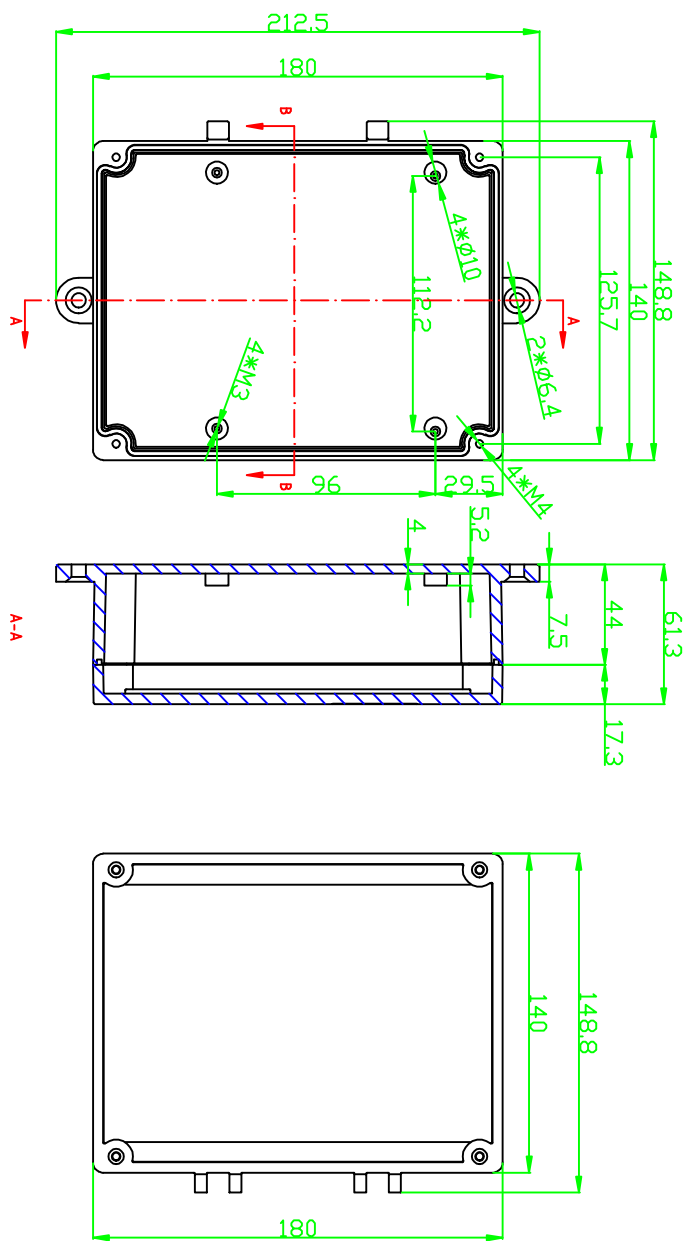


REVISION RECORD				
REV	ECD	DESCRIPTION	DRFT	CHKD



DETACHED LISTS		NAME	DATE
TOLERANCES EXCEPT AS NOTED MM 0 ± 0.3 .00 ± 0.2 .000 ± 0.1	DRAWN	Jonse	12/09/2014
ANGLES ± 5°	CHECKED		
	ENG APPR		
	MATERIAL	AL	
	QTY	1	
	FINISH		
	DRAWING NO.	AW081	
	/PART NO.	00	
	DDI NDT SCALE	DRAWING	
	SHEET	1	
	OF	1	

埃弗勒斯  
EVEREST  
WWW.EVERESTCASE.COM

TITLE  
AW081

SIZE  
A4  
REV