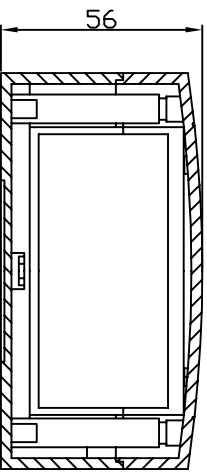
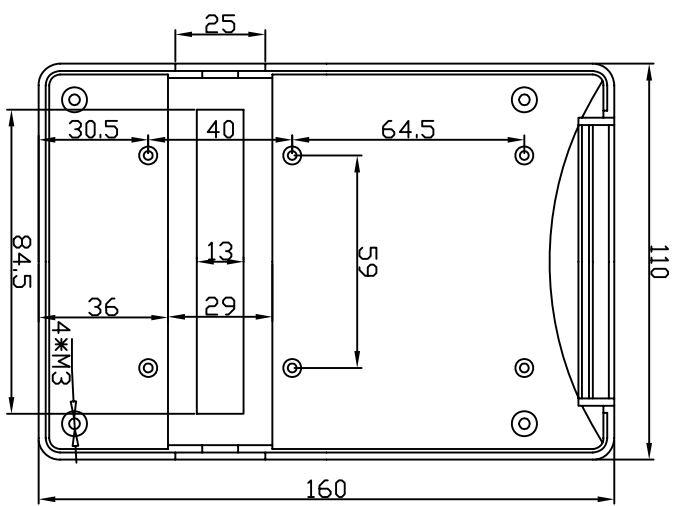
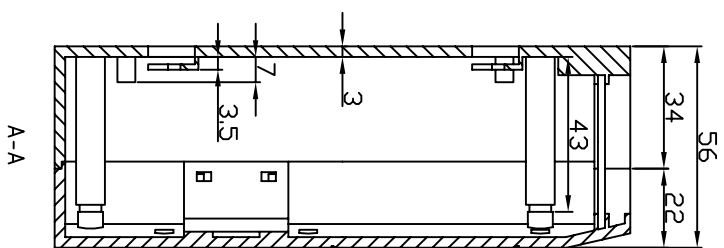
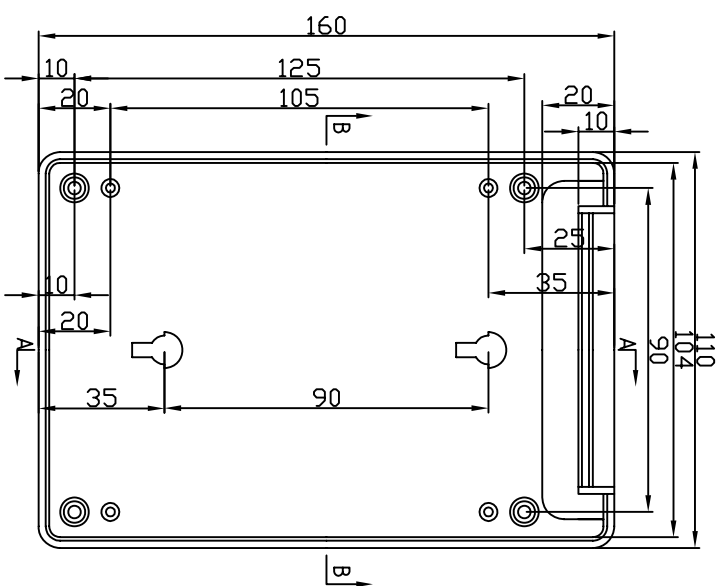


REVISION RECORD			
REV	ECD	DESCRIPTION	DRFT



DETACHED LISTS			
 THIRD ANGLE PROJECTION	MM (INCH) TOLERANCES EXCEPT AS NOTED MM: 0 ± 0.3, .00 ± 0.02, .000 ± 0.01 ANGLES ± 5°	DRFTD: CHKD: DATE: DATE: APP'VD: DATE:	TITLE: PH009
MATERIAL: ABS QTY: FINISH: SCALE: 1:1	EVEREST 埃弗勒斯 WWW.EVERESTCASE.COM	DRAWING NO. PH009 /PART NO. 00	SIZE: A4 REV: SHEET 1 OF 1